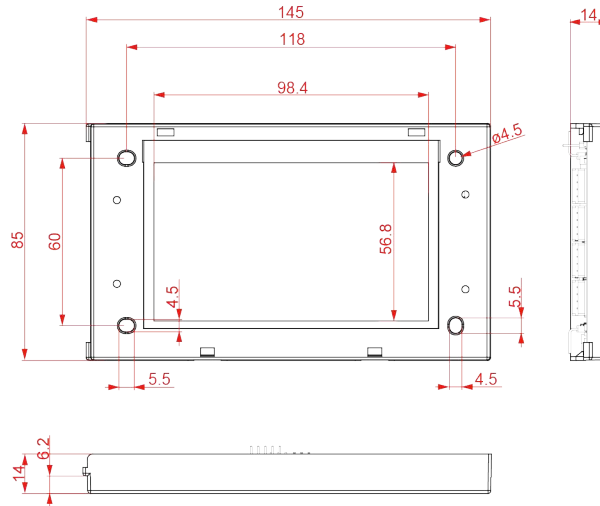


MCTC-HCB-T640

MCTC-HCB-T640 series TFT picture display, The elevator running direction, floor, special functions and other information are displayed in a gorgeous color image, Presented in front of passengers in various styles, Add a sense of sophistication to the building.

4.3 Inch Picture Display



Model	Description	display board	appearance and function
MCTC-HCB-T640S	encrypted		the same as MCTC-HCB-T640

Product feature and advantage:

- Working environment temperature:-20 ~ 70 °C
- Widescreen 4.3 inch TFT LCD display; Resolution: 480×272
- Display mode: Vertical Display;
Display area size: 95 mm×54 mm
- power: 24V DC, Means of communication: 485 Communication
- Service 56 floors, Standard Lock Ladders, fire fighting, maintenance, full load VIP display function
- Background pictures/arrows/floor info/functions can be changed through TGUS upper computer software
- The display module is matched with an external hoo tray and is used for the external lift of the sedan
- With black cover in one for sale, easy to install, elegant appearance
- Passed rigorous tests of <TFT Products Reliability test standard>, Shanghai BST Electric Co.,ltd, performance is stable and reliable

UI Interface:



Vertical Display

Power Supply & RS485 Signal Interface:

Connector identification	CN1			CN2		CN3		CN4	
connector type (see Appendix)	④			④		④		④	
function	MOD bus and power interface			Lift UP button connector		Lift DOWN button connector		Lift fireman lock input	
Pin definition	1	GND	Ground	LED	UP button output	LED	Down button output	XF	Fire key input
	2	MOD-	MOD Communication line	UP	UP button input	DN	Down button input	M24V	24V Power supply
	3	MOD+	MOD Communication line	M24V	24V Power supply	M24V	24V Power supply	M24V	24V Power supply
	4	+24V	24V Power supply	M24V	24V Power supply	M24V	24V Power supply	ST	Lock switch input
Connector identification	S1				S2				
function	Floor address setting switch, When setting the floor address, Shorted S1 jump cap to on position, Set the floor address by the up and down buttons.				RS485 terminal resistance setting				